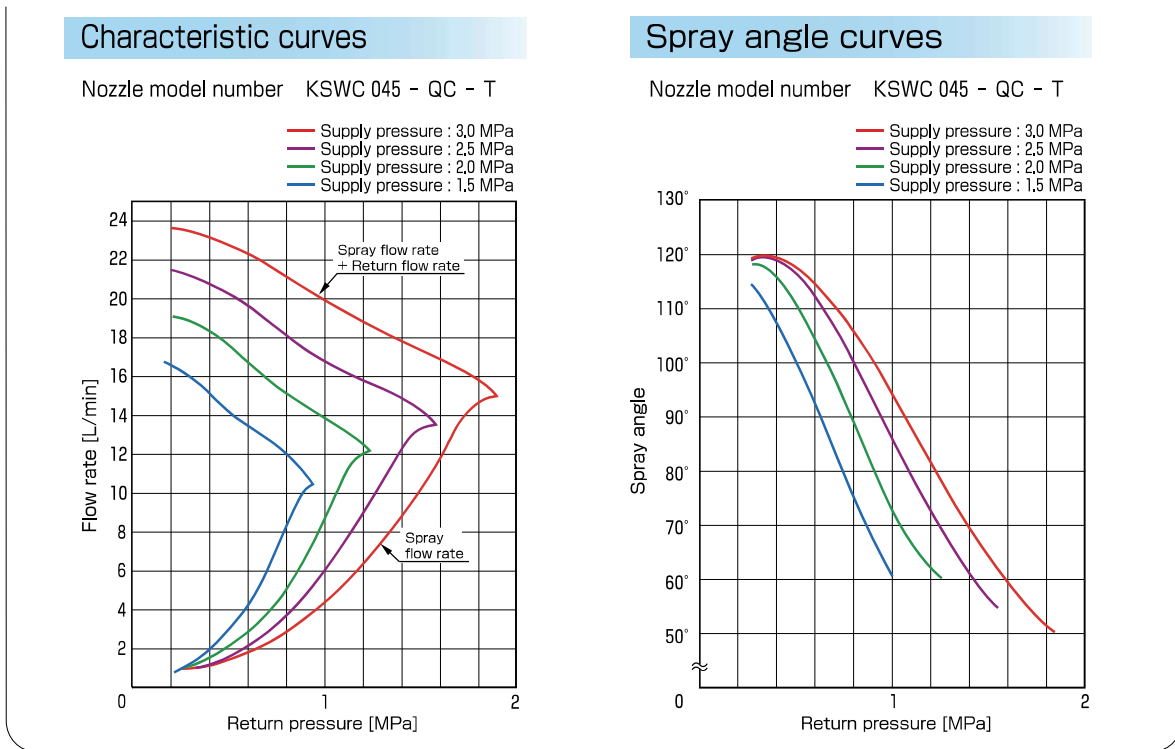


● Standard type model number list (supply pressure: 2 MPa)

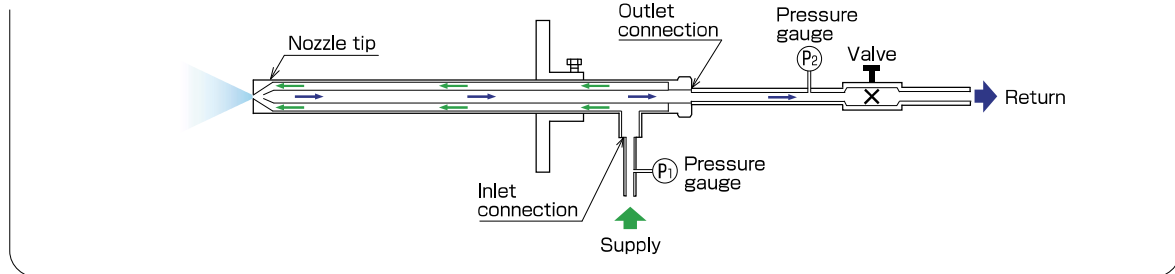
Model	Model number	Standard spray flow rate [L/h]	Minimum orifice diameter [mm]	Spray flow rate [L/min] at following return pressure [MPa]				Spray angle at following return pressure [MPa]				Sauter mean diameter [μm]
				1.25 ^{fully closed}	1.0	0.6	0.2	1.25 ^{fully closed}	1.0	0.6	0.2	
KSWC	01	180	1.6	3.0	2.4	0.7	0.3	60°	73°	104°	120°	90
	015	240	2.0	4.0	3.3	1.5	0.4	60°	73°	104°	120°	95
	02	320	2.2	5.3	4.3	1.7	0.6	60°	73°	104°	120°	100
	025	400	2.6	6.7	4.7	1.8	0.7	60°	73°	104°	120°	110
	03	480	2.8	8.0	5.8	2.2	0.8	60°	73°	104°	120°	120
	037	600	2.9	10.0	7.5	2.5	1.0	60°	73°	104°	120°	130
	045	720	3.3	12.0	8.7	2.8	1.2	60°	73°	104°	120°	140
	053	850	3.5	14.2	9.4	3.2	1.4	60°	73°	104°	120°	150
	06	960	3.6	16.0	10.8	3.8	1.6	60°	73°	104°	120°	160
	067	1080	3.7	18.0	12.6	4.4	1.8	60°	73°	104°	120°	170
077	1240	3.9	20.6	15.6	5.4	2.1	60°	73°	104°	120°	180	
094	1500	4.3	25.1	20.0	7.2	2.5	60°	73°	104°	120°	190	

* Sauter mean diameter is the value at maximum spray flow rate.

■ Performance data



■ Operation flow

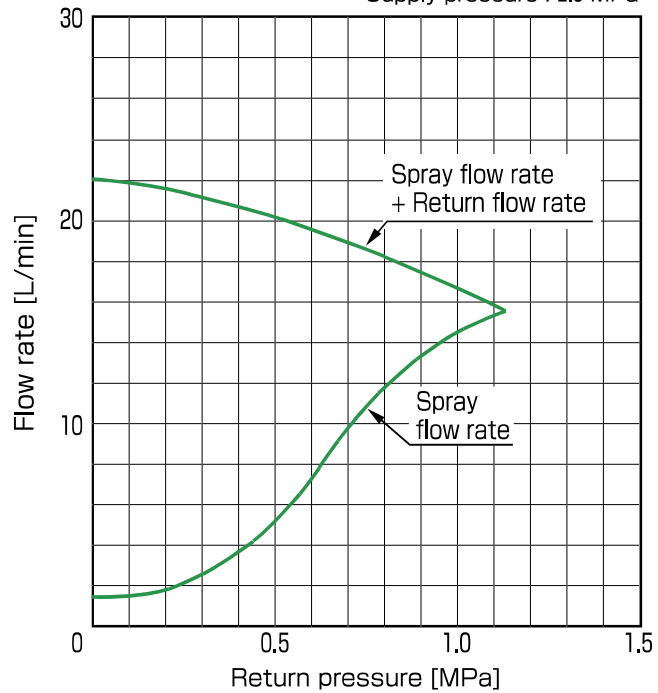


Performance data

Characteristic curves

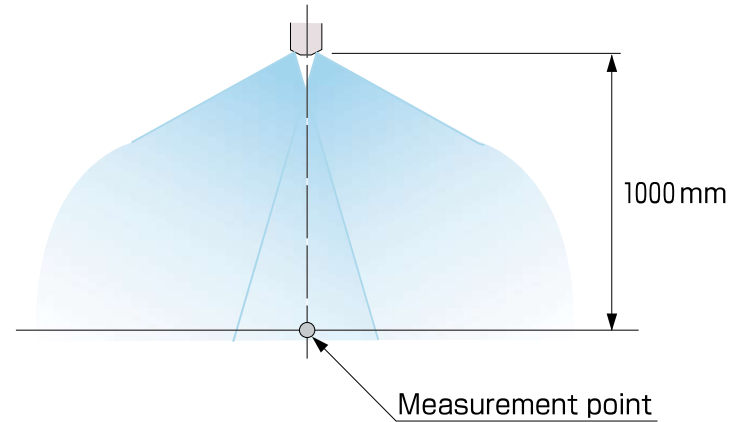
Nozzle model number KSWC 015 - 4QC

Supply pressure : 2.0 MPa



Particle size and velocity

Nozzle model number KSWC 015 - 4QC



Supply pressure [MPa]	Return pressure [MPa]	Flow rate [L/min]	Sauter mean diameter [μm]	Mean particle velocity [m/s]
2.0	1.14	15.3	95.0	19.9
	0	1.5	90.2	2.4